

ATRIA II 4

REIMAGINING PERFORMANCE SPACES

SPECIFICATION SHEET
ARCHI-COLOR® W+RGB

Housing

Diameter : Ø4.8" | Height : 12.6" | Weight : 8 lbs

Material

Housing : High Pressure Die-Cast Aluminum

Optics : Aluminum Reflector

Power Input

50W(White=25W, RGB=25W) | 120-277V

Lumen Output

2,595 lm (50W)

Dimming

DMX : High resolution dims to 0.1%

Color Quality

CRI 85

Rated Life

> 100,000 Hours (L70)

Finish



Matte Black

Matte White

Color Temperature



+



3000K

Archi-Color® W+RGB

Optics



45°



60°



Wide

Mounting



Stem
Mount



Adjustable
Cable



Wall
Mount



Yoke
Mount



Surface
Mount

Warranty

5 Year limited warranty

Listing



Architecture + Color Combined

Engineered for performance spaces, this architectural compact cylinder seamlessly integrates into ceilings, delivering powerful performance with vibrant, color-changing technology that elevates any stage environment.

With Archi-Color®, Atria II provides true independent white light for commercial applications, as well as unlimited chromatic possibilities to transform spaces with colorful dynamic light.



METEOR

meteor-lighting.com

SPECIFICATION

PROJECT NAME

DATE

CATALOG #

QUANTITY

The product configurator function on this page works only with the latest version of Chrome or Adobe Acrobat Reader.

<input type="text" value="ASII4"/>	MODEL	ATRIA II 4		
<input type="text" value="50"/>	WATTAGE	50 50W		
<input type="text" value="308C"/>	CCT / CRI	308C 3000K + RGB / CRI 85 Archi-Color® W+RGB		
<input type="text" value="UNV"/>	VOLTAGE	UNV 120 – 277V		
<input type="text"/>	DIMMING	DMX DMX dims to 0.1% (XLR Sockets)	DMXR DMX dims to 0.1% (RJ45 Sockets)	DMXP DMX dims to 0.1% (Terminal Block)
<input type="text"/>		DMXW DMX dims to 0.1% (Hard-wired)		
<input type="text"/>	BEAM ANGLE ¹	45 45°	60 60°	WD² Wide
<input type="text"/>	FINISH	BLK SilentBlack™, Matte Finish	WHT SilentWhite™, Matte Finish	
<input type="text"/>	RIM FINISH	STD Standard Trim	GLR Glow Ring	
<input type="text"/>	MOUNTING	SUM Surface Mount	ST2 Stem 2ft	ST4 Stem 4ft
		AD10 Adjustable Cable 10ft	SAD10 Sloped Adjustable Cable 10ft	YKM Yoke Mount
		WLM³ Wall Mount		
<input type="text"/>	ACCESSORIES	CT⁴ Conduit Mount	FCS⁵ Field Cut Stem Adapter Kit	

CLEAR FORM

¹ All beam angle options include an integrated diffuser

² WD option reduces delivered lumens by ~12%

³ WLM is not compatible with DMX, DMXR, DMXP; connections are hard-wired using three DMX wires

⁴ CT is not compatible with SUM, YKM, WLM

⁵ FCS is not compatible with SUM, AD10, SAD10, YKM, WLM

TECHNICAL DETAILS

Electrical

- 2,595 lm (50W | White = 25W, RGB = 25W)
- Power Input : Universal (120-277V)
- Operating Temperature : -13°F~104°F
- Surge Protection : Built-in is 4KV
- Power Factor Greater than 0.9

LED Features

- Color Temperature : 3000K + Archi-Color® W+RGB
- CRI 85
- Long lasting LED luminaire tested under TM21 lumen maintenance L70 @ 100,000 Hrs
- Lumen Maintenance > 0.90 at 60,000 hours

Optics

- Aluminum Reflector
- Beam Angle : 45°, 60°, Wide

Advanced Dimming

- Proprietary VX Driver™ is integrated across all dimming options, delivering video flicker-free performance and full compliance with IEEE 1789.
- DMX : High resolution dims to 0.1% (Supports ANSI E1.20 RDM protocol)

Housing

- Diameter : Ø4.8"
- Height : 12.6"
- Material : High Pressure Die-Cast Aluminum, Metal Reflector
- Weight : 8 lbs

Mounting

- Stem 2ft or 4ft; 45° Swivel Canopy Included
- Adjustable Cable 10ft
- Sloped Adjustable Cable 10ft
- Surface Mount
- Yoke Mount
- Wall Mount

Warranty

- 5-year limited warranty

Listing

- ETL Damp Location Listed
- CE
- GR
- UKCA

PERFORMANCE SUMMARY*

Lumen Performance				
	R	G	B	W
50W	120lm	790lm	95lm	1,590lm

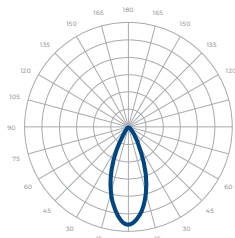
Wattage				
Channel	R	G	B	W
Fixture Wattage				
50W	8W	8W	8W	25W

*Beam Angle: 60° *Tolerance ±8%

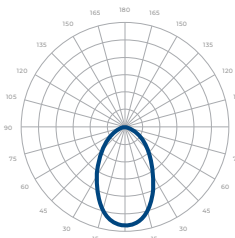
Current Consumption		
Fixture Wattage	Voltage	
	120V	277V
50W	0.48A	0.21A

PHOTOMETRICS

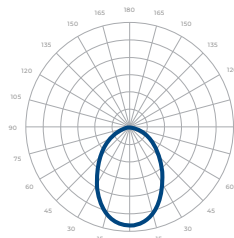
Below is a typical photometric representation of the Atria II 4 fixture. Please download IES files to ensure exact photometric value.



45°



60°



Wide

DMX REQUIREMENTS

The Atria II 4 Archi-Color® fixture with DMX is a **four channel dmx** unit. When placing an order, please indicate DMX address. (The DMX address will be listed on the back of the fixture). Do not connect more than 32 fixtures per DMX daisy chain.

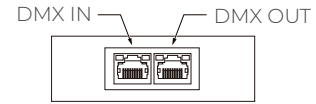
DMX Address				
Channel Fixture	Red Control (ex. X)	Green Control (ex. X+1)	Blue Control (ex. X+2)	White Control (ex. X+3)
#1	1	2	3	4
#2	5	6	7	8
#3	9	10	11	12

*The White Control channel adjusts the brightness of 3000K LEDs.

PHOTOMETRICS

The fixture can be connected with XLR, RJ45 sockets or Phoenix Connector. DMX cables **are not** included; please refer to compatible DMX cabling list for more information. The final fixture on each daisy chain should be terminated by the use of a DMX terminator purchased from a 3rd party or from Meteor.

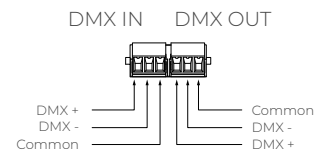
CONNECTION	RJ45 (CAT5e)	5-PIN XLR
Common	WHITE/BROWN(PIN7) & BROWN (PIN 8)	PIN 1
Signal -	ORANGE (PIN 2)	PIN 2
Signal +	WHITE/ORANGE (PIN 1)	PIN 3
Spare	-	PIN 4
Spare	-	PIN 5



RJ45 Sockets



XLR Sockets



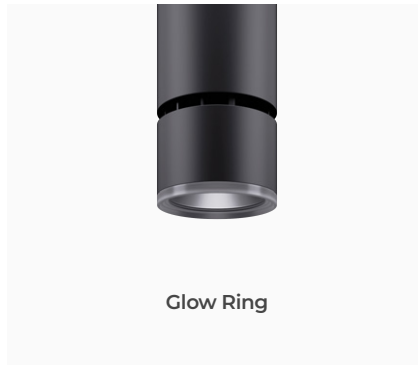
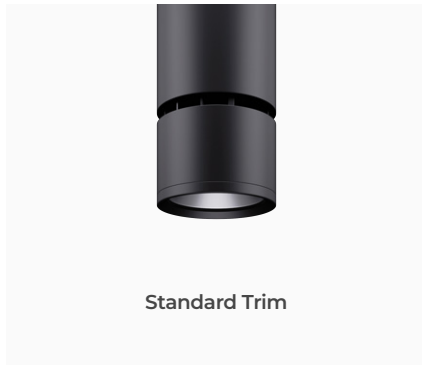
Phoenix Connector

COMPATIBLE DMX CABLING LIST

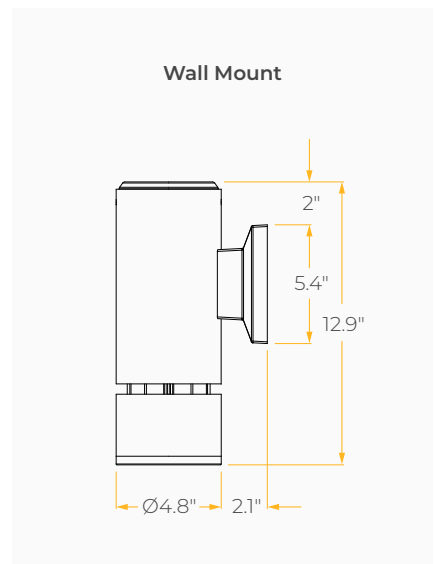
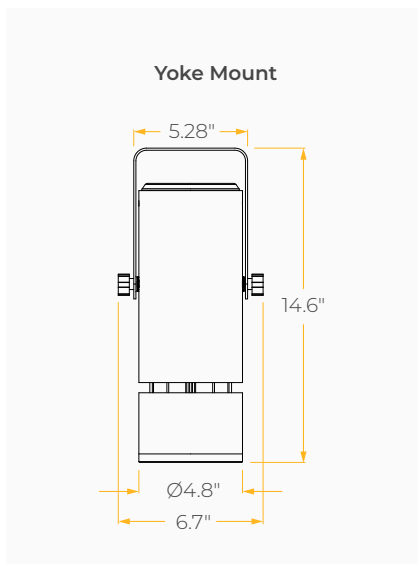
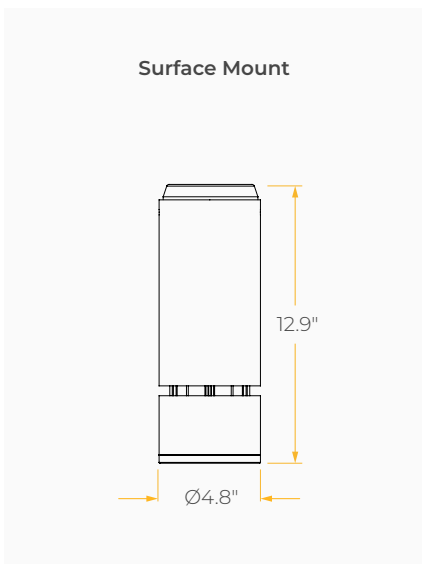
DMX uses a cable consisting of two twisted pairs plus a shield to carry data. The cable must be specifically impedance matched for the digital DMX signal, meaning that microphone cable or other non-rated cable **must not be used to carry DMX**. Network cable (Cat5, 5e or 6 cable) may be used to carry DMX in an installation; however special consideration must be given to shielding and termination. Under no circumstances should solid core cable like Cat5 be terminated into a screw down connector.

Meteor recommends the use of Belden 9729 or Belden 9841 for DMX installation. Belden 9729/9841 is a two pair cable, which allows for a spare pair for 'out and back' type terminations if needed.

RIM FINISH



DIMENSIONS



MOUNTING OPTIONS*

*Junction box not included

